

Fubag

Мотопомпа
Water pump

Operator's Manual
Инструкция по эксплуатации

PG 600

PG 1000

PG 1600

PG 1300 T

PG 1800 T

PG 80 H



**WARNING! BEFORE USING THE MACHINE READ THE INSTRUCTION MANUAL CAREFULLY!**

Our pump FUBAG are designed to give safe and dependable service if operated according to instructions.

Read and understand the manual before operating the pump FUBAG. Failure to do so could result in personal injury or equipment damage.

1. General safety

WARNING!

Exhaust gas contains poisonous carbon monoxide. Never run the pump in an enclosed area. Be sure to provide adequate ventilation. When installed in ventilated protection are to be observed.

WARNING!

The muffler becomes very hot during operation and remains hot for a while after stopping the engine.

Be careful not to touch the muffler while it is hot. Let the engine cool before storing the pump indoors. The engine exhaust system will be heated during operation and remain hot immediately after stopping the engine.

To prevent scalding, pay attention to the warning marks attached to the pump.

WARNING!

Gasoline is extremely flammable and explosive under certain conditions. Refuel in a well ventilated area with the engine stopped.

Keep away from cigarette, smoke and sparks when refueling the pump. Always refuel in a well-ventilated location.

Wipe up spilled gasoline at once.

WARNING!

Caution: The motor pump is supplied without oil.

Before starting up the motor pump, always check the oil level.

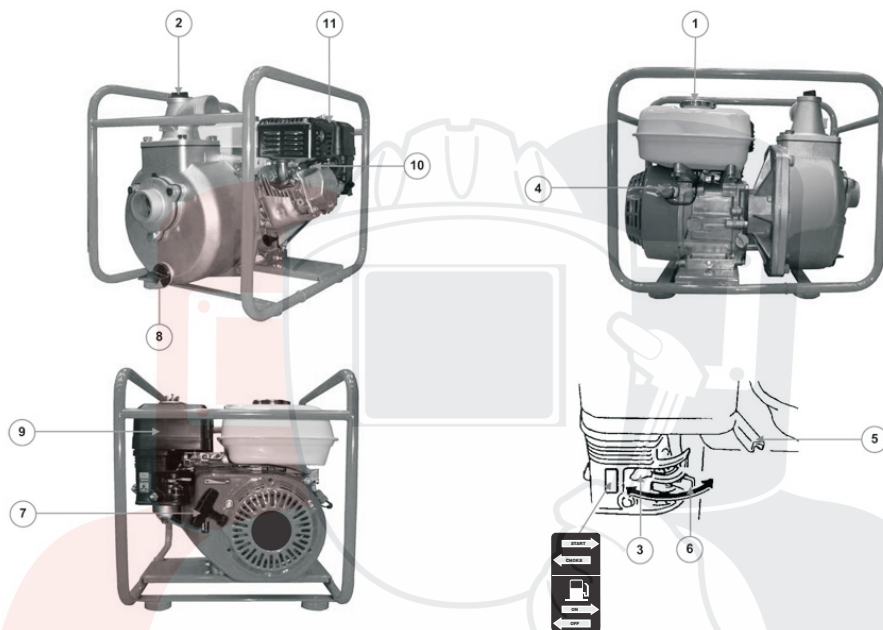
 **WARNING!**

- Always make a pre-operation inspection before you start the engine. You may prevent an accident or equipment damage.
- Know how to stop the pump quickly and understand operation of all the controls. Never permit anyone to operate the pump without proper instructions.
- Keep children and pets away from the pump when it is in operation.
- Failure to carry out measurements and checks for early detection of defects.
- The rated speed of the motor has been set during manufacture and may not be changed.
- No naked flames, lights or spark-emitting appliances may be used within the hazard area of the pump.
- Smoking within the hazard area of the pump is strictly forbidden.
- The pump may only be transported when cold.
- The pump may only be lifted using the carry handles intended for this purpose.
- The appliance may not be covered. The air intake may not be blocked or obstructed.
- All other servicing and repair work may only be carried out by personnel who are qualified and licensed for this purpose.
- Always remove spark plug connector prior to commencing servicing and repair work.
- The service intervals set out in these instructions must be observed.
- The pump must be shut down when not required for periods longer than 30 days.
- The pump must be stored in a dry enclosed room.

SVARMA ru

Эксперты в сварке

2. Description



1. Fuel tank plug
2. Pump filler cap
3. Choke
4. Motor contactor
5. Throttle lever
6. Fuel tap
7. Recoil starter
8. Pump drain plug
9. Air filter
10. Spark plug
11. Exhaust silencer

3. Specifications

MODEL	PG 600	PG 1000	PG 1600	PG 1300 T	PG 1800 T	PG 80 H
Engine type	F168-1	F170	F177	F177	F188	F177
Suction diameter, mm	50	80	100	80	100	40
Discharge diameter, mm	50	80	100	80	100	40
Max. flow rate, L/min	600	1000	1600	1300	1800	225
Max. elevation head, m	26	28	18	26	26	77,5
Max. suction head, m	8	8	8	8	6	2
Type of liquid	Clear water	Clear water	Clear water	Trash water	Trash water	Clear water
Particle size of the liquid pumped, mm	4	4	4	27	27	4
Fuel tank capacity, L	3,6	3,6	6,6	6,5	6,5	6,5
Recommended fuel	Unleaded petrol					
Recommended oil	SAE 10W30					
Liquid temperature, °C	0 ~ +60					
Ambient temperature, °C	-40 ~ +40					
Relative humidity (at 40°C), %	50					
Relative humidity (at 20°C), %	90					
Dimensions L x W x H, mm	466x376x398	500x400x430	620x450x537	655x500x594	695x540x559	570 475 4 82
Weight, kg	27	30	47	58,5	77	51
Accessories	Joint grip 2 pcs; Pipe joint 2 pcs; Fastening ring 3 pcs; Filter net 1 pcs; Rubber washer 2 pcs; Spark plug wrench 1 pcs					

The manufacturer reserves himself the right to make the manual's content or pump function change without any preliminary notification of the users.

4. Preparation before use

Positioning for operation

Place the motor pump on a sufficiently strong, flat and horizontal surface so that the electric pump cannot sink in (the inclination must not exceed 10° in any direction).

Select a clean location, ventilated and protected from inclement weather, and provide an oil and fuel supply close to the place of motor pump usage, while still maintaining a safe distance.

Select a location which will not impede the movement of people or vehicles.

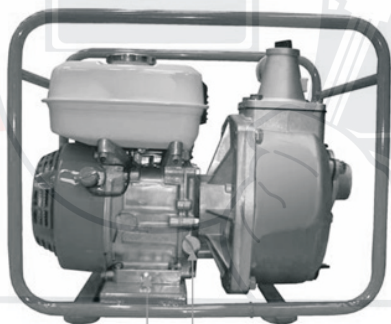
Make sure that the motor pump remains stable and immobile while in operation. Don't forget that the suction hose tends to pull the motor pump towards the water source during pumping.

Place the motor pump as close as possible to the liquid being drawn-in. The shorter the vertical distance between the motor pump and the liquid surface, the more rapid the priming and the greater the volume of liquid pumped.

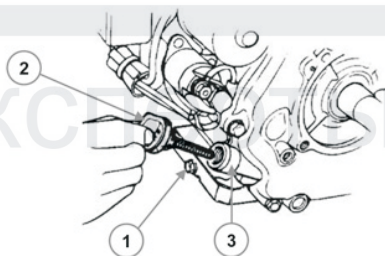
Submerge the strainer completely within the liquid, taking care that it is not blocked.

Oil level

1. Remove the filler plug-dipstick (no. 2) by unscrewing it, and wipe the dipstick.
2. Insert the dipstick into the filler neck (no. 3) without screwing it. N.B.: A second black plug (no. 4) without a dipstick, is available if necessary on the other side of the engine.
3. Visually check the level and top up if necessary.
4. Tighten the filler plug-dipstick (no. 2) completely onto the filler neck (no. 3).
5. Check that there are no leaks.
6. Wipe off excess oil with a clean cloth.

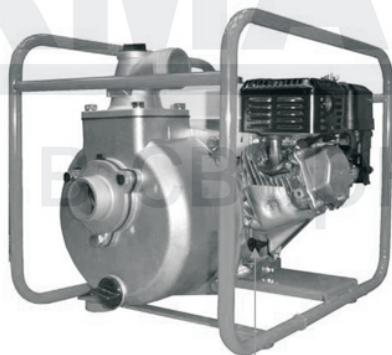


1 2



1

3



4

Fuel level



Only use clean fuel without any water. Do not overfill the tank (there should not be any fuel in the filler neck).

After filling, always check that the plug is fitted properly on the tank. If fuel has been spilled, make sure that it has dried and that the fumes are dissipated before starting the motor pump set.

Visually check the fuel level. Top up if necessary:

1. Close the fuel tap.
2. Remove the fuel tank plug.
3. Fill the fuel tank with a funnel, taking care not to spill any fuel.
4. Tighten the plug on the tank.
5. Open the fuel tap.

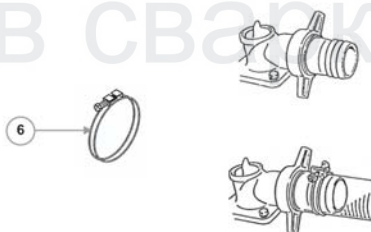
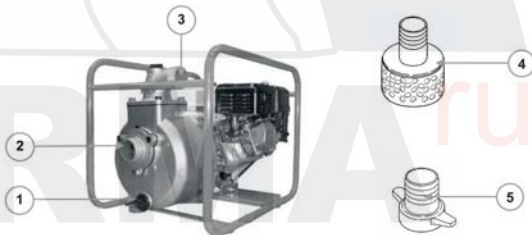
Assembly of pipings



Never use the motor pump without the appropriate strainer (risk of pump deterioration).

Always ensure that the sealing joints of the couplings are firmly in place (risk of poor suction of the liquid).

1. Pass the pipe fixing clamps (no. 6) around the suction & discharge hoses.
2. Mount the hose couplings (no. 5) on the suction (no. 2) & discharge of the pump (no. 3).
3. Fix the suction & discharge hoses on their respective couplings using the pipe fixing clamps.
4. Place one of the pipe fixing clamps around the other end of the suction hose.
5. Attach the strainer (no. 4) at the end of the suction hose.
6. Fix the strainer with a pipe fixing clamp.



5. Usage of the motor pump

Starting-up

**WARNING!**

Always top up the pump housing before starting the engine. Presence of liquid is necessary to prime & lubricate a pump (risk of deterioration).

1. Fully immerse the strainer in the liquid to be drawn-in. If there is a risk of blockage, place the strainer on a rock bed.
 2. Unscrew the pump filler plug.
 3. Top up the pump housing with water.
 4. Screw the pump filler plug back on.
 5. Move the choke knob into close position.
- N.B: Do not use the starter when the engine is hot or when the atmospheric temperature is high.*
6. Set the engine switch to "I" and activate the gas lever.
 7. Slowly pull the recoil starter handle once until encountering resistance, allow it to return back gently.
 8. Pull the recoil starter firmly & strongly until the engine starts.
 9. Gently set the choke knob to open and wait for an engine temperature increase before releasing the gas lever.

If the engine does not start, repeat the operation until the engine starts-up. If the pump does not discharge, stop the motor pump and check the suction circuit.

Operation

**WARNING!**

During the operation, don't allow any foreign bodies to block the suction or the discharge.

Don't block the discharge pipe: don't allow any vehicle to park on the pipe.

Never close a valve abruptly: water-hammer action can seriously damage the pump.

When the speed of the motor pump has stabilised (around 3 min), move the gas lever into position for the desired speed.

The motor pump discharges the liquid not only according to the speed but also the elevation height for suction & discharge, and the quality of liquid to be drawn-in.

Switching off

1. Restore the gas lever to its original position.
2. Set the engine switch to the “O” position. The motor pump stops.
3. Drain the motor pump then rinse it if its use is over for the day.

Rinsing

Once the motor pump is shutdown and cold:

1. Empty the suction & discharge hoses, allow the liquid to drain out.
2. Unscrew the drain plug from the pump in order to drain-out the pump housing.
3. Screw the pump drain plug back on once drainage is complete.
4. Remove the pump filler plug and fill the pump housing with clean water.
5. Slowly pull the recoil starter handle several times till encountering resistance, allow it to return back gently.
6. Unscrew the pump drain plug and drain the pump housing.
7. Screw the pump fill & drain plugs back on.
8. Clean the strainer.

Safety features

If there is no oil in the engine sump or if the oil pressure is low, the oil safety mechanism automatically stops the engine to prevent any damage. If this occurs, check the engine oil level and top it up if necessary before looking for any other cause of the problem.

6. Maintenance

This section describes how to service the pump.

Servicing and repair work not described in this section must be carried out by the manufacturer's personnel.

The following servicing work must be carried out in accordance with the corresponding periods.

Component	Operations to be carried out at whichever deadline is reached first	Each time it is used	First month or after the first 20 hours	3 months or Every 50 hours	6 months or Every 100 hours	12 months or Every 300 hours	
Engine oil	Check the level	●	●		●		
	Change						
Air filter	Check	●		●			
	Clean						
Motor pump	Clean				●		
Strainer and Sediment bowl	Clean				●		
Spark plug	Check / Clean				●		
Valves *	Check/adjust*					●*	
Fuel tank*	Clean*					●*	
Fuel line*	Check (replace if necessary)	Every 2 years*					

* Operation(s) must only be carried out by one of our agents.

Checking bolts, nuts and screws

To prevent faults or breakdowns, carefully check all the nuts, bolts and screws on a daily basis.

1. Inspect the motor pump assembly before & after every start-up and usage.
2. Tighten any loose nuts or bolts.

Warning: the cylinder head bolts must be tightened by a specialist. Refer to the agent for your region.

Renewing the engine oil

Follow the environment protection instructions and drain the oil in a suitable container.

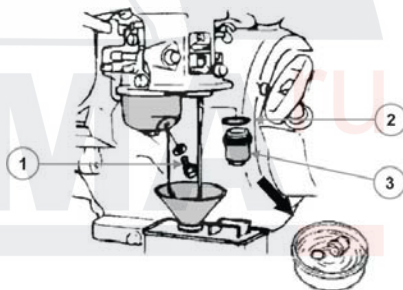
1. With the engine still hot, place a suitable container under the oil drain screw, then remove the oil filler gauge plug and the oil drain screw.

N.B.: If necessary, a second black filler plug, but without a gauge, is available on the other side of the engine.

2. After complete draining, screw the oil drain screw back on.
3. Top up with recommended oil then check the level.
4. Refit and tighten the oil filler gauge plug.
5. After filling, check that there are no oil leaks.
6. Wipe away any traces of oil with a clean cloth.

Cleaning the sediment bow

1. Close the fuel tap.
2. Place a suitable container and a funnel underneath the carburetors.
3. Unscrew the fuel drain plug (no. 1) to drain the fuel.
4. After draining, refit the fuel drain plug.
5. Remove the sediment bowl (no. 3) and the seal (no. 2).
6. Clean the sediment bowl (no. 3) with non-flammable solvent or solvent with a high flash point. Dry it completely.
7. Refit the seal (no. 2) and the sediment bowl (no. 3).
8. Open the fuel tap and check that there are no leaks.



Cleaning the air filter

1. Remove wing nut and cover from the air filter (no. 1 & 2).
2. Remove the filter elements (no. 4 & 5) and clean them:

Paper element (no. 4):

a) Gently tap the element several times on a hard surface to remove any excess dirt.

OR: Pass compressed air through the filter, from the inside out. Never try to remove dirt using a brush.

b) Replace the paper element if it is too dirty.

Foam element (no. 5):

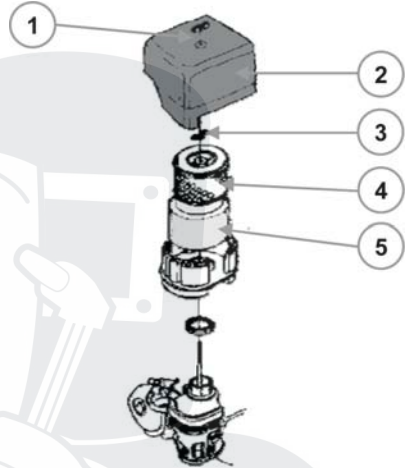
a) Wash the element in a solution of household cleaner and warm water and rinse thoroughly.

OR: wash with non-flammable solvent or solvent with a high flash point. Allow the element to dry completely.

b) Soak the element in clean engine oil and remove the excess oil.

Note: If there is too much oil remaining in the foam, the engine will emit smoke when it is first started.

3. Check carefully that the two elements are not torn or pierced. Replace them if they are damaged.
4. Carry out refitting following the reverse procedure for removal.



Checking the spark plug

1. Remove the cap (fig. F - no. 1) from the spark plug, then remove the spark plug (fig. F - no. 2) using a spark plug spanner.
2. Check the condition of the spark plug:

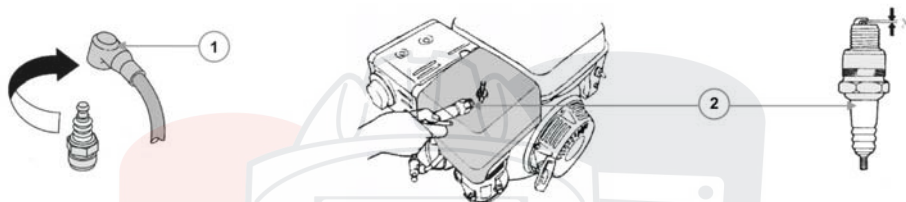
If the electrodes are worn or if the insulation is split or flaking:

3. Replace the spark plug.
4. Fit a new spark plug in position and tighten it by hand to avoid damaging the threads.
5. Use a spark plug spanner to tighten the spark plug by 1/2 turn after it is seated to compress the washer.

Otherwise:

3. Clean the spark plug with a metal brush.
4. With a feeler gauge, check the electrode gap "X": it must be between 0.7 and 0.8 mm inclusive.

5. Check the condition of the washer.
6. Fit the spark plug in position and tighten it by hand to avoid damaging the threads.
7. Use a spark plug spanner to tighten it by 1/8-1/4 turn after it is seated to compress the washer.



7. Cleaning and Preparation for storage

1. Remove all dust and particles around the exhaust silencer.
2. Clean the motor pump, especially the air inlets & outlets of the engine, with a cloth and a brush.
3. Check the general condition of the motor pump and if change any defective parts.

If the pump is not used for a long period of time, it must be stored in accordance with the following guidelines.

1. Unscrew the pump drain plug and empty the pump housing.
2. Clean the inside of the pump housing cover with a water jet.
3. Screw the pump drain plug back on.
4. Drain the fuel through the filler neck of the fuel tank.
5. Withdraw the spark plug, pour a maximum of 15ml of oil into the cylinder then refit the spark plug.
6. Slowly pull the recoil starter handle several times until encountering resistance, allow it to return back gently, so that the oil is distributed throughout inside the cylinder.
7. Clean the outside of the motor pump, apply an anti-rust product over the damaged areas.
8. Cover the motor pump with a drop cloth to protect it from dust and store it in a clean and dry location.

8. Trouble Shooting

FAULT	POSSIBLE CAUSE	REMEDY
Engine not starting	Air filter clogged up.	Clean the air filter.
	Fuel tap closed.	Open the fuel tap.
	Fuel level too low	Fill up with fuel.
	Fuel filter clogged up.	Clean the fuel filter.
	Oil level too low.	Check the oil level and top up if necessary.
	Fuel supply blocked or leaking	Have it checked, repaired or replaced.*
	Spark plug defective.	Check the spark plug and replace if necessary.
Engine shutdown	Blocked ventilation inlets	Clean the air inlet and outlet guards
	Fuel level too low	Fill up with fuel.
	Oil level too low.	Check the oil level and top up if necessary.
Priming failure	Level of liquid being pumped is too low.	Immerse the strainer completely.
	Water level in the pump casing too low.	Add water in the pump casing.
	Pump drain plug not screwed on properly.	Tighten the pump drain plug.
	Air coming in through the suction side.	Check the pipe suction side.
	Engine not running properly.	Have it checked, repaired or replaced.*
	Air coming in through the mechanical joint.	Have it checked, repaired or replaced.*
Low flow	Pipe too long or bent.	Shorten or stretch the pipe.
	Suction side is too high up.	Lower the height of operation.
	Air coming in through the suction side.	Check the pipe suction side.
	Liquid leaking in the pipes.	Repair the leak.
	Wheel clogged up	Have it checked, repaired or replaced.*
	Wheel worn	Have it checked, repaired or replaced.*
	Mechanical joint broken.	Have it checked, repaired or replaced.*
	Engine power loss.	Have it checked, repaired or replaced.*

* Operation(s) to be entrusted to one of our agents.

9. Warranty

Warranty refer to defects of materials and components and do not refer to components subject to natural wear and maintenance work.

Only machines cleaned from dust and dirt in original factory packing fully completed, provided with instruction manual, warranty card with fixed sales date with a shop stamp factory serial number and originals of sales and ware receipt issued by salesman are subjects of warranty. Within the warranty period the service center eliminate free of charge all detected production defects. The manufacturer disclaims warranty and legal responsibilities if nonobservance of the instruction manual by user, unqualified disassembling repair or maintenance of the machine as well does not bear responsibility for caused injury to persons or damages.

**ВНИМАНИЕ! ПЕРЕД ИСПОЛЬЗОВАНИЕМ МОТОПОМПЫ ВНИМАТЕЛЬНО ОЗНАКОМЬТЕСЬ С ДАННОЙ ИНСТРУКЦИЕЙ.**

К использованию и обслуживанию мотопомпы допускаются только квалифицированный и специально обученный персонал, ознакомленный с данной инструкцией.

В этой инструкции содержится описание, правила безопасности и вся необходимая информация для правильной эксплуатации мотопомпы FUBAG. Сохраняйте данную инструкцию и обращайтесь к ней при возникновении вопросов по безопасной эксплуатации, обслуживанию, хранению и транспортировке помпы FUBAG.

1. Правила безопасности



Выхлопы содержат вредный угарный газ. Никогда не эксплуатируйте помпу в закрытом помещении. Перед включением убедитесь, что обеспечена хорошая вентиляция. При установке в хорошо проветриваемых зонах обращайте внимание на обеспечение безопасности.



При работе помпы глушитель становится очень горячим и остывает некоторое время после ее выключения. Будьте внимательны и не дотрагивайтесь до глушителя, пока он горячий. Дайте двигателю остыть до того, как поставить его на хранение в помещении.

Выхлопная система двигателя будет нагреваться при работе и останется горячей некоторое время после выключения двигателя.

Для предотвращения ожогов обращайтесь внимание на предупредительные наклейки.



Бензин является легко воспламеняемым и взрывчатым веществом. Осуществляйте заправку помпы топливом только в хорошо проветриваемых зонах при выключенном и остывшем двигателе. Поблизости не должно быть курящих, источника искр и дыма. Всегда заправляйте помпу в хорошо проветриваемом месте. Пролитый бензин необходимо сразу удалить.



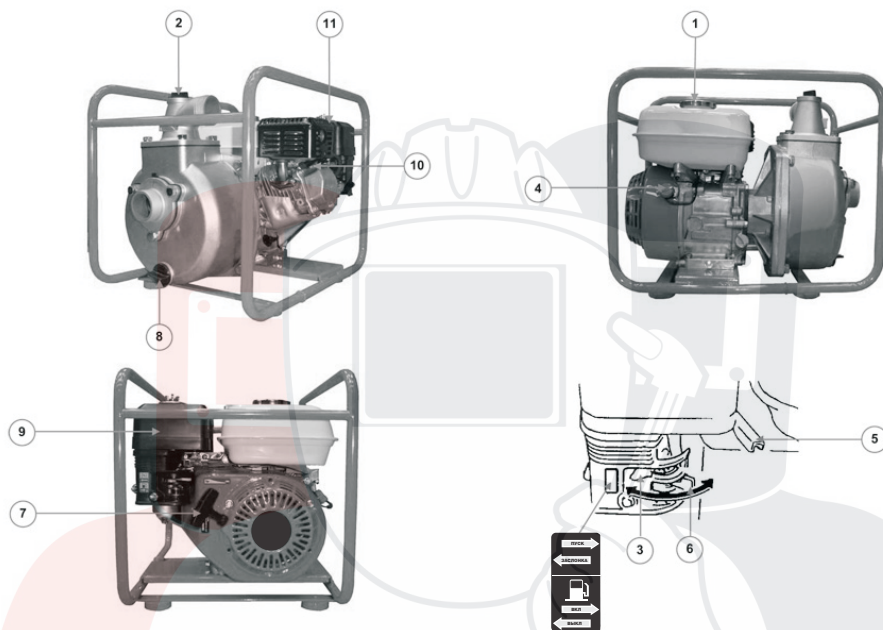
Внимание: помпа поставляется без масла.
Перед каждым включением помпы проверьте уровень масла.

⚠ ВНИМАНИЕ!

- Всегда проводите предэксплуатационный осмотр до запуска двигателя. Вы можете предотвратить аварию или повреждение оборудования.
- Внимательно изучите и запомните параграфы инструкции. Не допускайте к работе с мотопомпой лиц, не ознакомившихся с инструкцией.
- Не допускайте к работающей помпе детей и домашних животных.
- На корпусе мотопомпы должны присутствовать и быть легко читаемыми все обозначения.
- Любые изменения конструкции запрещаются. Запрещается изменять частоту вращения двигателя, установленную заводом-производителем.
- Перед каждым запуском и после него следует проверять безопасность и исправность прибора.
- Вблизи помпы необходимо остерегаться открытого огня и искр. Курение вблизи строго запрещается.
- Помпу разрешается транспортировать только в охлаждённом состоянии.
- Помпу разрешается перевозить, только если она надёжно зафиксирована и не может опрокинуться.
- Запрещается использовать средства для облегчения запуска.
- Запрещается производить заправку во время работы. Запрещается производить заправку не остывшей мотопомпы. Используйте при заправке воронку.
- Запрещается обслуживать мотопомпу во время работы. Запрещается обслуживать не остывшую помпу.
- Обслуживающему персоналу разрешается производить только те работы по обслуживанию, которые описаны в данном руководстве. Любые другие работы разрешается проводить только специалистам сервисной службы.
- Перед началом работ по обслуживанию и ремонту обязательно снимайте колпачок свечи зажигания.
- Соблюдайте интервалы технического обслуживания.
- Консервируйте помпу, если им не пользуются более 30 дней.
- Храните помпу в сухом и закрытом помещении.

Эксперты в сварке

2. Описание



1. Крышка топливного бака
2. Крышка заливочного отверстия насоса
3. Рычаг воздушной заслонки
4. Включатель двигателя
5. Газовый рычаг
6. Топливный кран
7. Пусковой шнур
8. Крышка слива насоса
9. Воздушный фильтр
10. Свеча зажигания
11. Глушитель

3. Технические характеристики

МОДЕЛЬ	PG 600	PG 1000	PG 1600	PG 1300 T	PG 1800 T	PG 80 H
Двигатель	F168-1	F170	F177	F177	F188	F177
Диаметр всасывающего отверстия, мм	50	80	100	80	100	40
Диаметр нагнетательного отверстия, мм	50	80	100	80	100	40
Максимальный расход жидкости, л/мин	600	1000	1600	1300	1800	225
Максимальная высота напора, м	26	28	18	26	26	77,5
Максимальная высота всасывания, м	8	8	8	8	6	2
Тип жидкости	Чистая вода	Чистая вода	Чистая вода	Грязная вода	Грязная вода	Чистая вода
Гранулометрический состав перекачиваемой жидкости, мм	4	4	4	27	27	4
Емкость топливного бака, л	3,6	3,6	6,6	6,5	6,5	6,5
Рекомендованное топливо	Неэтилированный бензин марки А-92					
Рекомендованное масло	SAE 10W30					
Тем-ра перекачиваемой жидкости, °С	0 ~ +60					
Тем-ра окружающей среды, °С	-40 ~ +40					
Относительная влажность (при 40 °С), %	50					
Относительная влажность (при 20 °С), %	90					
Габаритные размеры Д x Ш x В, мм	466x376x398	500x400x430	620x450x537	655x500x594	695x540x559	570 475 4 82
Вес, кг	27	30	47	58,5	77	51
Комплектация	Входной/выходной патрубков 2 шт; прокладка 2 шт; накидная гайка 2 шт; хомут 3 шт; фильтр 1 шт; свечной ключ 1 шт					

Производитель имеет право вносить изменения, как в содержание данной инструкции, так и в конструкцию мотопомпы без предварительного уведомления пользователей.

4. Подготовка к работе

Установка

Установите помпу на ровной горизонтальной поверхности, достаточно прочной, чтобы помпа не вдавливалась в землю (наклон не должен превышать 10 градусов в любом направлении).

Выберите место, где помпа не будет мешать проходу людей или автомобилей.

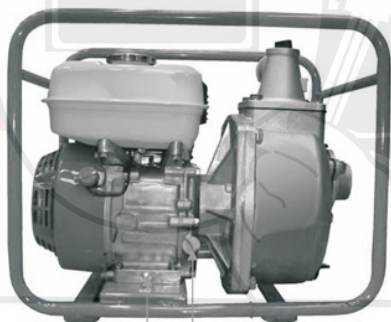
Удостоверьтесь, что помпа стоит устойчиво и не сможет сместиться во время работы. Не забывайте, что шланг всасывания тянет насос к источнику воды во время работы.

Также следует расположить насос по возможности ближе источнику воды. Чем меньше вертикальное расстояние между насосом и поверхностью воды, тем эффективнее будет работа насоса и больше объем выкаченной жидкости.

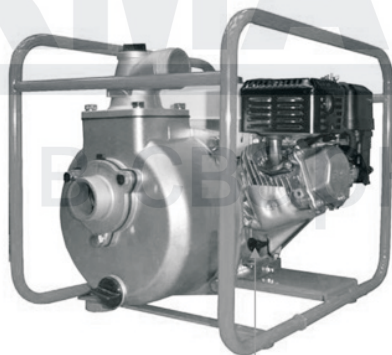
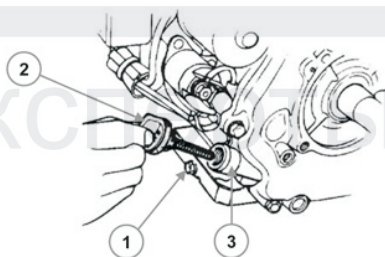
Полностью погрузите фильтр в жидкость, стараясь уменьшить риск засорения.

Уровень масла

1. Отвинтите и извлеките пробку-щуп заправочного отверстия (поз. 2) и вытрите щуп.
2. Вставьте щуп в заправочную горловину (поз. 3) не заворачивая его. Примечание: В случае необходимости имеется вторая пробка (поз. 4) без щупа с другой стороны двигателя.
3. Визуально проверьте уровень масла и при необходимости долейте его.
4. До упора завинтите пробку-щуп заправочного отверстия (поз. 2) в горловину (поз. 3).
5. Убедитесь в отсутствии протечки масла.
6. Удалите следы масла чистой ветошью.



1 2



4

Уровень топлива

Используйте только чистое топливо без примеси воды.
 Не переполняйте топливный бак (внутри заправочной горловины не должно быть топлива).
 После заливки топлива убедитесь, что пробка бака хорошо закрыта.
 Если топливо пролилось, прежде чем включать насосную установку, убедитесь, что оно высохло и что пары улетучились.

ВНИМАНИЕ!

Визуально проверьте уровень топлива. При необходимости долейте необходимое количество топлива:

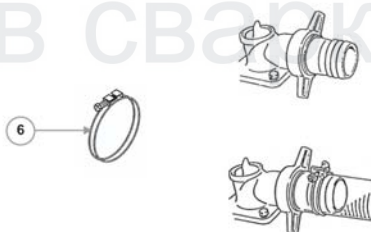
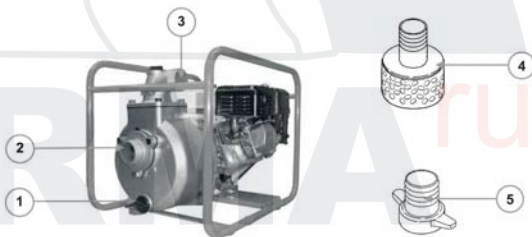
1. Закройте топливный кран.
2. Отвинтите крышку топливного бака.
3. Залейте топливо в бак через воронку, стараясь не пролить.
4. Заверните крышку горловины топливного бака.
5. Откройте топливный кран.

Монтаж трубопроводов

Никогда не используйте насос без фильтра на всасывающей трубе (опасность повреждения насоса).
 Всегда проверяйте, что герметичные соединения шланга в порядке (опасность плохого всасывания жидкости).

ВНИМАНИЕ!

1. Закрепите зажимные хомуты (поз. 6) на шлангах всасывания и нагнетания.
2. Закрепите муфтовые соединения для шланга (поз. 5) на трубе всасывания (поз. 2) и на трубе нагнетания насоса (поз. 3).
3. Закрепите шланги всасывания и нагнетания с соответствующими муфтами при помощи зажимных хомутов.
4. Закрепите один из зажимных хомутов на другом конце шланга всасывания.
5. Установите фильтр (поз. 4) на конце шланга всасывания.
6. Закрепите фильтр при помощи зажимного хомута.



5. Эксплуатация

Запуск

⚠ ВНИМАНИЕ!

Перед запуском двигателя всегда заливайте в насос воду. Наличие жидкости необходимо для начального заполнения насоса и его смазки.

1. Полностью погрузите всасывающий фильтр в жидкость для всасывания. Поместите фильтр на каменное основание во избежание закупоривания.
2. Выкрутите крышку заливки насоса.
3. Заполните корпус насоса водой.
4. Закрутите крышку заливки насоса.
5. Переведите рычаг воздушной заслонки в закрытое положение.

Примечание: Не закрывайте воздушную заслонку полностью при нагретом двигателе или при повышенной температуре окружающей среды.

6. Установите выключатель двигателя в положение «I» («ВКЛ»), переключите ручку газа.
7. Медленно дерните за ручку пускового шнура до упора и дождитесь пока он снова не свернется.
8. Затем сильно и тяните шнур стартера без рывков до тех пор, пока двигатель не запустится.
9. Медленно переключите рычаг воздушной заслонки в положение открыть и дождитесь разогрева двигателя перед отпуском ручки газа.

Если двигатель не запустился, повторяйте эти действия, пока не произойдет запуск. Если подача воды не началась, остановите насос и проверьте систему всасывания.

Работа помпы

⚠ ВНИМАНИЕ!

Не допускайте попадания инородных предметов в систему всасывания и нагнетания воды во время работы насоса.

Не допускайте закупоривания нагнетательной трубы: не допускайте наезда автомобиля на трубу.

Никогда не закрывайте водяной вентиль резко: мощный удар может привести к серьезным повреждениям насоса.

Когда скорость работы помпы стабилизируется (примерно через 3 мин), поверните газовый рычаг в положение, соответствующее желаемой скорости.

Насос подает жидкость согласно установленной скорости, а также в зависимости от высоты всасывания и подачи воды и качества подаваемой жидкости.

Выключение

1. Вернуть газовый рычаг в начальное положение.
2. Установить выключатель двигателя в положение «О». Помпа должна остановиться.
3. Опорожнить помпу и промыть водой, если она не будет использоваться в течении дня.

Промывка

После остановки и охлаждения насоса нужно промыть его водой:

1. Спустите воду со шлангов всасывания и нагнетания.
2. Отвинтите пробку слива воды для опорожнения корпуса насоса.
3. После полного слива воды завинтите пробку обратно.
4. Отвинтите пробку заливки и заполните корпус насоса чистой водой.
5. Медленно дергайте за ручку пускового шнура до упора и дождитесь пока он снова свернется.
6. Отвинтите пробку слива и опорожните корпус насоса.
7. Завинтите пробки заливки и слива насоса.
8. Почистите фильтр всасывающей трубы.

Защитные устройства

При отсутствии масла в картере двигателя или при слишком низком давлении масла, система контроля масла автоматически останавливает двигатель во избежание любых повреждений.

В таком случае, следует проверить уровень масла в картере двигателя и довести его до нормы, в случае необходимости, прежде чем приступать к поиску иной причины неисправности.

6. Техническое обслуживание

- Обслуживание аппарата может производиться только квалифицированным персоналом.

- Всегда выключайте помпу и снимайте колпачок свечи зажигания.

Проводите следующие работы по обслуживанию регулярно и с соблюдением указанных интервалов.

Элемент	Операции	При каждом использовании	Первый месяц или по окончании первых 20 часов	3 месяцев или после 50 часов	6 месяцев или после 100 часов	12 месяцев или после 300 часов
Моторное масло	Проверьте уровень Замените	●	●		●	
Воздушный фильтр	Проверьте Очистите	●		●		
Приводной насос	Очистите				●	
Сетку и Стакан отстойника	Очистите				●	
Свеча зажигания	Проверьте и очистите				●	
Клапаны *	Проверьте и отрегулируйте*					●*
Топливный бак *	Очистите*					●*
Топливопровод*	Проверьте (при необходимости замените)	Через каждые два года*				

* Операцию или операции должен выполнять специалист, прошедший специальную подготовку.

Проверка винтовых соединений

Для предотвращения несчастного случая или поломки необходим ежедневный тщательный контроль всех резьбовых соединений.

1. Осматривайте мотопомпу перед каждым запуском и после каждого использования.
2. Подтягивайте резьбовые соединения, затяжка которых ослабла.

Примечание: затяжка болтов головки блока цилиндров должна выполняться специалистом.

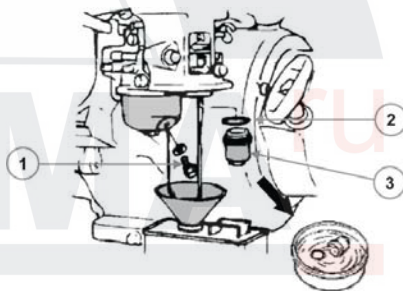
Замена моторного масла

Выполняйте требования по защите окружающей среды и сливайте масло в подходящую емкость.

1. Пока двигатель не остыл, поместите подходящую емкость под винт для слива масла, затем извлеките пробку-щуп отверстия для заливки масла и винт для слива масла.
Примечание: В случае необходимости вторая пробка отверстия для заливки масла имеется с обратной стороны двигателя.
2. После того как масло слито, завинтите на место винт для слива масла.
3. Залейте необходимое количество рекомендованного масла и проверьте уровень.
4. Установите на место и завинтите пробку-щуп отверстия для заливки масла.
5. Проверьте отсутствие утечек масла после заправки.
6. Вытрите следы масла чистой ветошью.

Очистка стакана отстойника

1. Закройте топливный кран.
2. Установите под карбюратор подходящую емкость и воронку.
3. Отверните крышку (поз. 1) и слейте топливо.
4. После окончания слива заверните крышку отверстия для слива топлива.
5. Снимите стакан отстойника (поз. 3) и прокладку (поз. 2).
6. Промойте стакан отстойника (поз. 3) невоспламеняющимся или трудно воспламеняющимся растворителем. Тщательно просушите его.
7. Установите прокладку (поз. 2) и стакан отстойника (поз. 3).
8. Откройте топливный кран и убедитесь в отсутствии утечек.



Очистка воздушного фильтра

1. Отверните барашковую гайку и снимите крышку воздушного фильтра (поз. 1 и 2).
2. Извлеките фильтрующие элементы (поз. 4 и 5) и очистите их:

Элемент из бумаги (поз. 4):

а) Несколько раз слегка постучите элементом по твердой поверхности, чтобы удалить избыточные загрязнения.

ИЛИ: Направьте струю сжатого воздуха через фильтр изнутри. Никогда не пытайтесь удалить загрязнения при помощи щетки.

б) Если бумажный элемент слишком сильно загрязнен, замените его.

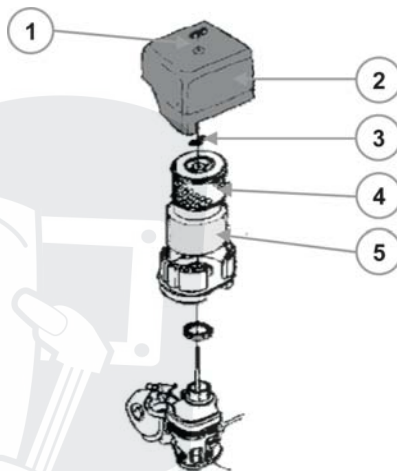
Элемент из пеноматериала (поз. 5):

а) Промойте элемент бытовым моющим средством и горячей водой, затем тщательно промойте чистой водой.

ИЛИ: Промойте элемент невоспламеняющимся или трудно воспламеняющимся растворителем. Тщательно просушите элемент.

б) Пропитайте элемент чистым моторным маслом и отожмите излишек масла.

Примечание: Если в элементе из пеноматериала останется слишком много масла, при первом запуске двигатель будет дымить.



3. Внимательно проверьте оба элемента на отсутствие в них дыр и разрывов. Замените поврежденные элементы.

4. Установите детали в обратном порядке.

Проверка свечи зажигания

1. Снимите колпачок (поз. 1) со свечи зажигания и при помощи свечного ключа выверните свечу зажигания (поз. 2).

2. Проверьте состояние свечи зажигания:

Если свеча зажигания с изношенными электродами, оплавленным или отслаивающимся изолятором:

3. Замените свечу.

4. Установите на место новую свечу зажигания и заверните ее от руки, чтобы не повредить резьбу.

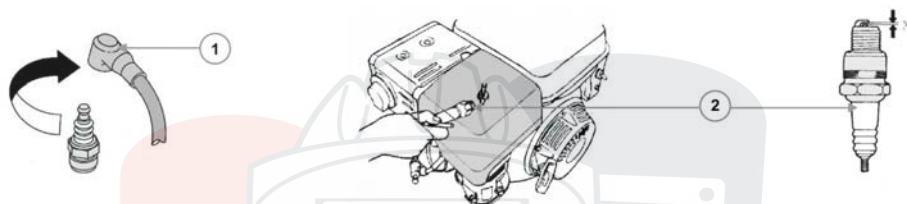
5. Доверните свечу с помощью свечного ключа на 1/2 оборота, чтобы сжать шайбу.

Если свеча зажигания не изношена:

3. Очистите свечу металлической щеткой.

4. С помощью щупа проверьте зазор «X» между электродами: он должен составлять 0,7 - 0,8 мм.

5. Проверьте состояние шайбы.
6. Установите на место свечу зажигания и заверните ее от руки, чтобы не повредить резьбу.
7. Доверните свечу с помощью свечного ключа на 1/8 - 1/4 оборота, чтобы сжать шайбу.



7. Очистка и хранение

1. Удалите пыль и загрязнения вокруг глушителя системы выпуска отработавших газов.
2. Очистите насос ветошью и щеткой, в частности входные и выходные воздушные отверстия двигателя.
3. Проверьте общее состояние насоса и замените неисправные детали.

В случае длительного неиспользования следует произвести следующие указания по хранению.

1. Отвинтите пробку слива воды и опорожните корпус насоса.
2. Промойте внутренние стенки корпуса насоса струей воды.
3. Зажмите крышку слива воды.
4. Слейте топливо через воронку заливки топливного бака.
5. Извлеките свечу зажигания, залейте не больше 15 мл масла в цилиндр и установите свечу обратно.
6. Медленно держите за ручку пускового шнура до упора и дождитесь пока он снова свернется, таким образом, чтобы масло равномерно распределилось в цилиндре.
7. Очистите внешнюю поверхность насоса и нанесите антикоррозийное средство на пораженные части.
8. Накройте насос защитным чехлом для предотвращения попадания пыли и поместите его в чистое сухое место.

8. Неисправности и их устранение

НЕИСПРАВНОСТЬ	ПРИЧИНА	УСТРАНЕНИЕ
Двигатель не запускается	Засорен воздушный фильтр.	Почистите воздушный фильтр.
	Закрит топливный кран.	Откройте топливный кран.
	Недостаточный уровень топлива.	Залейте необходимое количество топлива.
	Засорен топливный фильтр.	Почистите топливный фильтр.
	Недостаточный уровень масла.	Проверьте уровень масла и при необходимости долейте.
	Засорен или протекает топливопровод.	Проверьте и отремонтируйте или замените.*
Остановка двигателя	Повреждена свеча зажигания.	Проверьте свечу зажигания и замените в случае необходимости.
	Засорены вентиляционные отверстия.	Почистите защитные кожухи всасывающих и нагнетательных отверстий.
	Недостаточный уровень топлива.	Залейте необходимое количество топлива.
Отказ включения	Недостаточный уровень масла.	Проверьте уровень масла и при необходимости долейте.
	Недостаточный уровень жидкости для всасывания.	Полностью погрузите фильтр в жидкость.
	Недостаточный уровень воды в корпусе насоса.	Долейте воду в корпус насоса.
	Не закрыта пробка слива насоса.	Завинтите пробку слива насоса.
	Попадание воздуха в систему всасывания.	Проверьте всасывающую трубу.
	Плохое вращение двигателя.	Проверьте и отремонтируйте или замените.*
Малая мощность	Попадание воздуха в механические соединения.	Проверьте и отремонтируйте или замените.*
	Шланг слишком длинный или плохо развернут.	Укоротите или заново разверните шланг.
	Слишком большая высота всасывания.	Уменьшите рабочую высоту.
	Попадание воздуха в систему всасывания.	Проверьте всасывающую трубу.
	Протекание воды в трубах.	Устраните течь.
	Засорение ротора.	Проверьте и отремонтируйте или замените.*
	Износ ротора.	Проверьте и отремонтируйте или замените.*
	Разрыв механических соединений.	Проверьте и отремонтируйте или замените.*
Падение мощности двигателя.	Проверьте и отремонтируйте или замените.*	

* Работы выполняются специалистами сервисной службы.

9. Гарантийные обязательства

Гарантийный срок на оборудование указывается в прилагаемом сервисном талоне.

Гарантия относится к дефектам в материалах и узлах и не распространяется на компоненты, подверженные естественному износу и работы по техническому обслуживанию.

Гарантийному ремонту подлежат только очищенные от пыли и грязи аппараты в заводской упаковке, полностью укомплектованные, имеющие инструкцию по эксплуатации, гарантийный талон с указанием даты продажи, при наличии штампа магазина, заводского номера и оригиналов товарного и кассового чеков, выданных продавцом.

В течение гарантийного срока Сервисный центр устраняет за свой счёт выявленные производственные дефекты. Производитель снимает свои гарантийные обязательства и юридическую ответственность при несоблюдении потребителем инструкций по эксплуатации, самостоятельной разборки, ремонта и технического обслуживания аппарата, а также не несет никакой ответственности за причиненные травмы и нанесенный ущерб.